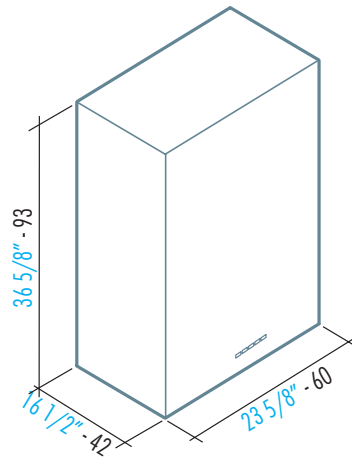
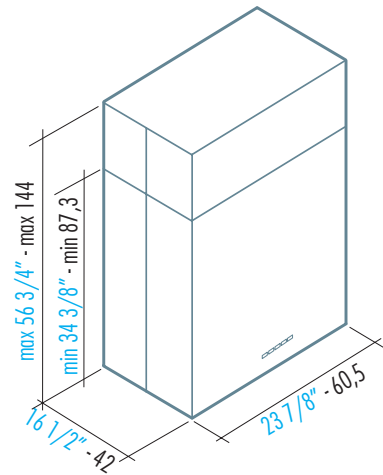


# ALTAIR top

## General Features

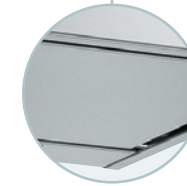
The Altair top is designed and built in Italy and features exclusive Fasteel finger print proof stainless steel, in a simple modern design. The exclusive perimeter suction system allows for an elegant finish without compromising efficiency and all the while making it one of the quietest vent hoods in it's class by utilizing "sound stop" technology. Metallic grease filter is easily accessible behind the cover and are removable and washable. Also all Fasteel models come standard with backlit electronic controls and delayed shutoff.

Inch / Cm

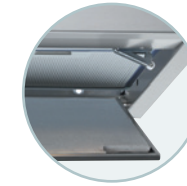


island  
FFALT24I5FS

wall  
FFALT24W5FS



Elegant filter cover utilizes perimeter suction technology



Easily accessible metallic filters located behind the filter cover also displays the exclusive "sound stop" system

### features

	Size	Performance	Controls	Speed levels	Duct specification	Lighting	Sone range
<b>island</b> FFALT24I5FS	24" 60,5	600 CFM	Electronic	4	6" - 15	4 x 20 Halogen	2.5 - 5.5
<b>wall</b> FFALT24W5FS	24" 60	600 CFM	Electronic	4	6" - 15	2 x 20 Halogen	2.5 - 5.5

### available accessories

Charcoal Recirculating kit	Duct Extension kit	Replacement filter
Version mod. 6	/	metallic filter 272 x 245 mm
Version mod. 6	/	metallic filter 277 x 294 mm

Product specifications are subject to change without notification. Consult the installation instructions before you begin installing this rangehood.

# ALTAIR top

**fasteel**

