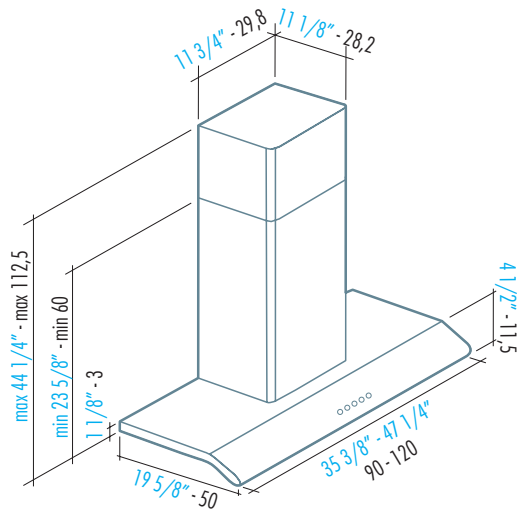


CONCORDE

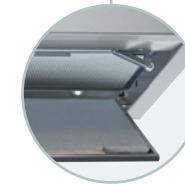
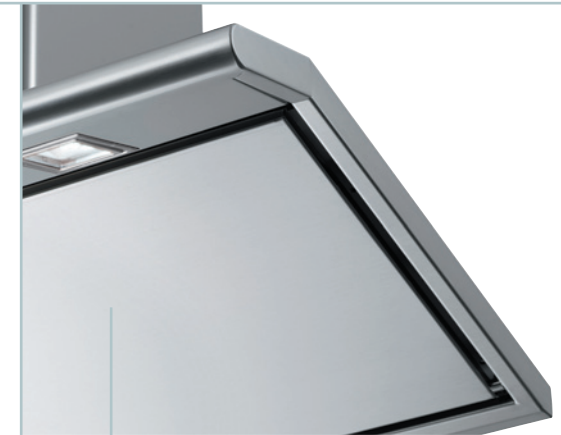
General Features

The Concorde is designed and built in Italy and features AISI 304 stainless steel. Like its name sake the Concorde has the same angles of the famous jet descending to the ground. The exclusive perimeter suction system allows for an elegant finish without compromising efficiency and all the while making it one of the quietest vent hoods in its class by utilizing "sound stop" technology. Metallic grease filter is easily accessible behind the cover and is removable and washable. Also all Falmec hoods feature backlit electronic controls and delayed shutoff.

Inch / Cm



wall
FDCON36W5SS
FDCOND48W5SS



"Sound Stop" noise dampening behind drop down panel cover, secured with magnetic safety latches

| wall | features | | | | | | | available accessories | | |
|--------------|------------|-------------|------------|--------------|--------------------|-------------------|-------------|----------------------------|--------------------|---------------------------------|
| | Size | Performance | Controls | Speed levels | Duct specification | Lighting | Sound range | Charcoal Recirculating kit | Duct Extension kit | Replacement filter |
| FDCON36W5SS | 36" 90 | 600 CFM | Electronic | 4 | 6" - 15 | 2 x 20 Halogen | 2.5 - 5.5 | Version mod. 3 | / | metallic filter 235 x 245 mm |
| FDCOND48W5SS | 48" 120 | 600 CFM | Electronic | 4 | 6" - 15 | 2 x 20 Halogen | 2.5 - 5.5 | Version mod. 3 | / | metallic filter 235 x 245 mm |

Product specifications are subject to change without notification. Consult the installation instructions before you begin installing this rangehood.

CONCORDE

AISI304

Design

