

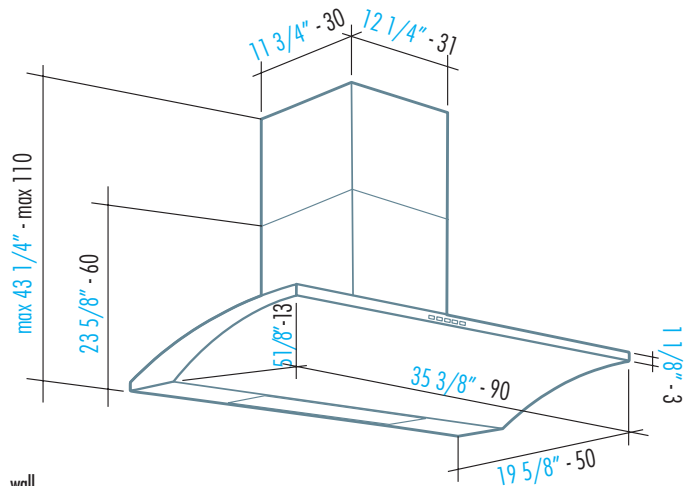
# LOGO

## General Features

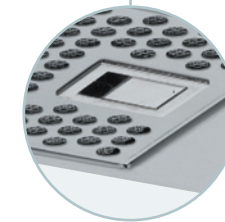
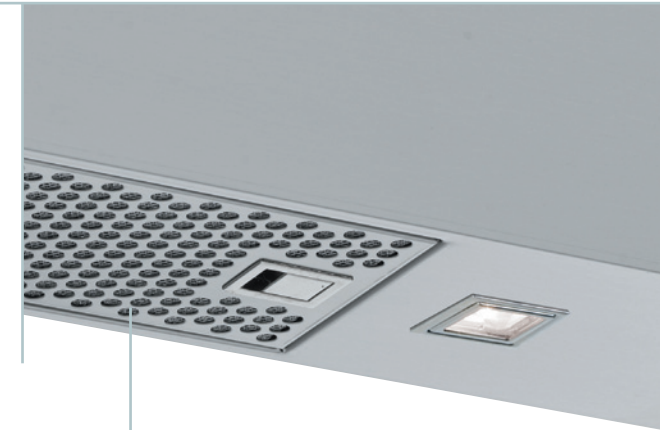
The Logo is designed and built in Italy and features AISI 304 stainless steel. One of the most technically challenging designs, the Logo incorporates modern art and physics. By creating a low pressure system at the back of the canopy cooking vapours are drawn into the rear filter, creating a visual masterpiece that is both beautiful and functional.

The stainless grease filter is easily removable for washing. Also all Falmecc models come standard with backlit electronic controls and delayed shutoff.

Inch / Cm



wall  
FDLGO36W5SS



The custom stainless steel logo filter with "easy latch" for convenient removal

wall	features						available accessories			
	Size	Performance	Controls	Speed levels	Duct specification	Lighting	Sone range	Charcoal Recirculating kit	Duct Extension kit	Replacement filter
FDLGO36W5SS	36" 90	600 CFM	Electronic	4	6" - 15	2 x 20 Dicroica	3.5 - 6.5	Version mod. 6	/	"Design" Logo

Product specifications are subject to change without notification. Consult the installation instructions before you begin installing this rangehood.

LOGO

AI304

Design

