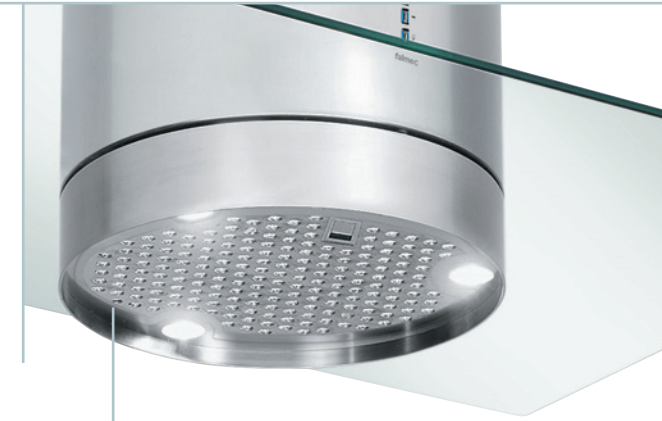
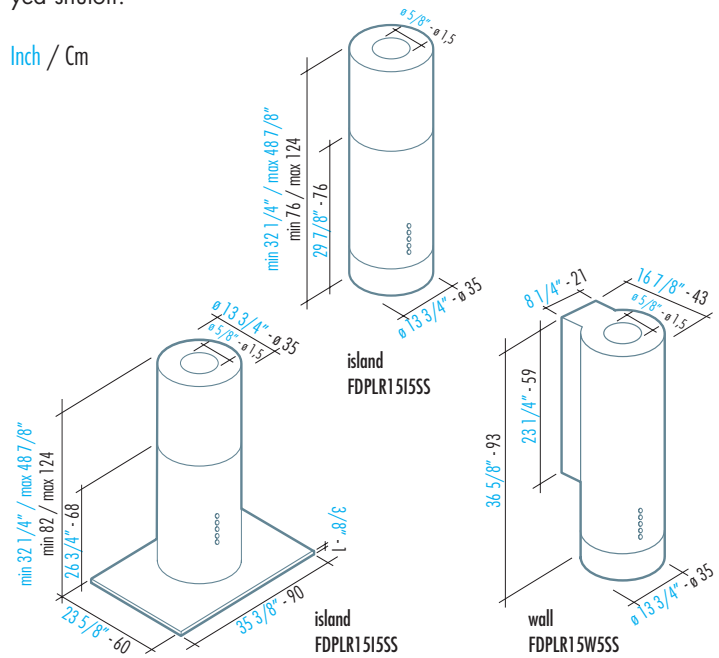


POLAR

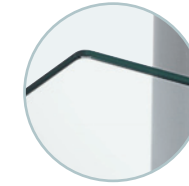
General Features

The Polar is designed and built in Italy and features AISI 304 stainless steel. Available in a wall and island version the Polar with its cylindrical design achieves a unique industrial look resulting in a bold statement in any kitchen design. For those who prefer the look of a canopy the optional glass shelf is available as an accessory. The stainless steel filter cover is easily removable to access the metallic grease filters for washing. Also all Falmec models come standard with backlit electronic controls and delayed shutoff.

Inch / Cm



Removable round stainless steel filter cover



Optional glass shelf for wall or island version, must specify

	features							available accessories		
	Size	Performance	Controls	Speed levels	Duct specification	Lighting	Sone range	Charcoal Recirculating kit	Glass	Replacement filter
island										
FDPLR1515SS	14" / 35	600 CFM	Electronic	4	6" - 15	3 x 20 Dicroica	3.5 - 6.5	Version mod. 6	FDPGL3610TG	"Design" Polar
wall										
FDPLR15W5SS	14" / 35	600 CFM	Electronic	4	6" - 15	3 x 20 Dicroica	3.5 - 6.5	Version mod. 6	FDPGL3610TG	"Design" Polar

Product specifications are subject to change without notification. Consult the installation instructions before you begin installing this rangehood.

POLAR

AISI 304

Design

